
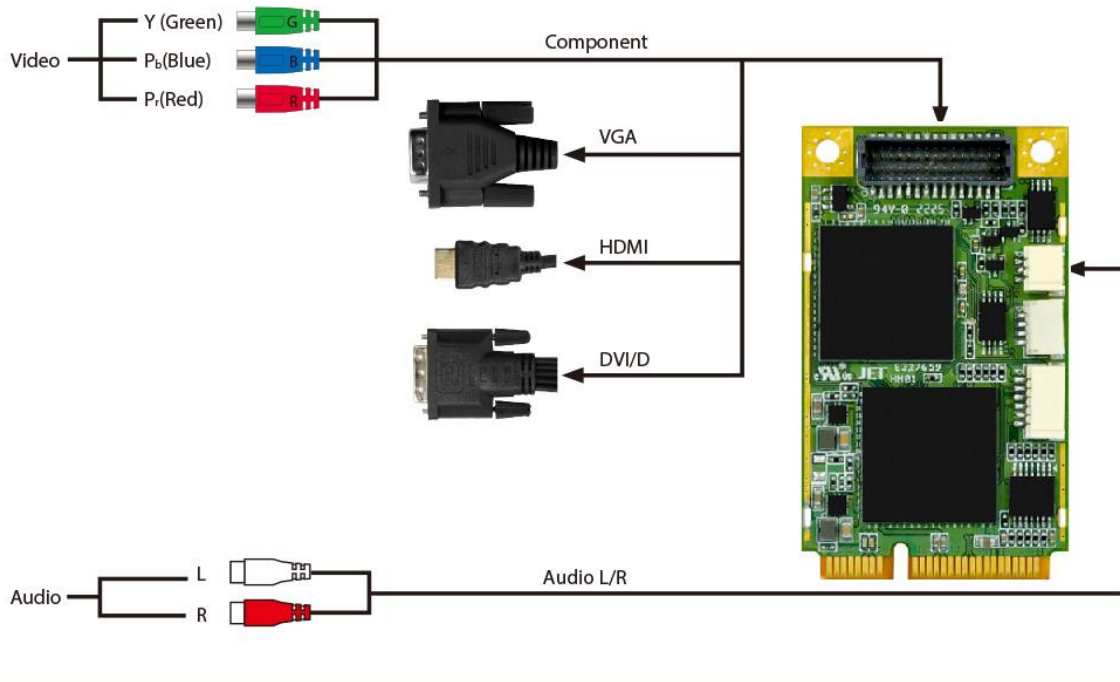


VDB-400 Series Hardware Specification	
Model	VDB-400N1 MC HDV
Max. FPS	1920×1080p@60/50fps in → 1920×1080p@60/50fps out
Recording Mode	Software Compression, Real-Time Mode
Product photo	
Dimension	30×50.95 (mm)
Interface	MiniCard (PCIe×1)
Video Input	1xDVI-I, 1xYPbPr, 1xHDMI
Display Video Format	YV12, NV12, YUY2, RGB24, RGB32, P010
Video RAW Data Resolution	1920×1080p@60/50fps 1920×1080p@30/25/24fps 1920×1080i@60/50fps 1280×720p@60/50fps 1280×1024p@60fps 1280×960p@60fps 1024×768p@60fps 800×600p@60fps 640×480p@60fps 720×480p@60fps 720×576p@50fps 720×480i@60fps 720×576i@50fps
Recording Video Format	H.264 (Software Compression)
Recording Video Resolution	1920×1080p@60/50fps 1920×1080p@30/25/24fps 1920×1080i@60/50fps 1280×720p@60/50fps

	1280x1024p@60fps 1280x960p@60fps 1024x768p@60fps 800x600p@60fps 640x480p@60fps 720x480p@60fps 720x576p@50fps 720x480i@60fps 720x576i@50fps
Audio Input	1xHDMI Embedded Audio Audio L/R (Through Wafer Connector)
Audio Format	Stereo / 16-bit / 32000 ~ 48000Hz
Multiple Cards	∞
SDK	Support API : DirectShow, V4L2, FFmpeg, Gstreamer Support Language : C++, C#, .NET, Visual Basic, Qt, Delphi
System Requirement	
OS Support	Windows 7 / Windows 8 / Windows 8.1 / Windows 10 Linux 2.6.14 or Higher (32-bit and 64-bit)
CPU Requirement	6th Generation Quad-Core Intel I7 CPU / AMD Ryzen 7 (or Better)
GPU Requirement	nVIDIA GeForce GTX10XX (or Better)
RAM Requirement	Dual Channel 16GB RAM
Power Consuming	3.28W
Operating Temperature	-40 ~ 70°C
Storage Temperature	-40 ~ 85°C
Operating Humidity	5% ~ 95%RH (Non-condensing)
MTBF (Hrs)	3,595,349
Safety Certificate	Meet CE/FCC Standard

Connection Diagram



TAA Compliant
Designed & Made in Taiwan
Wide Temperature Range